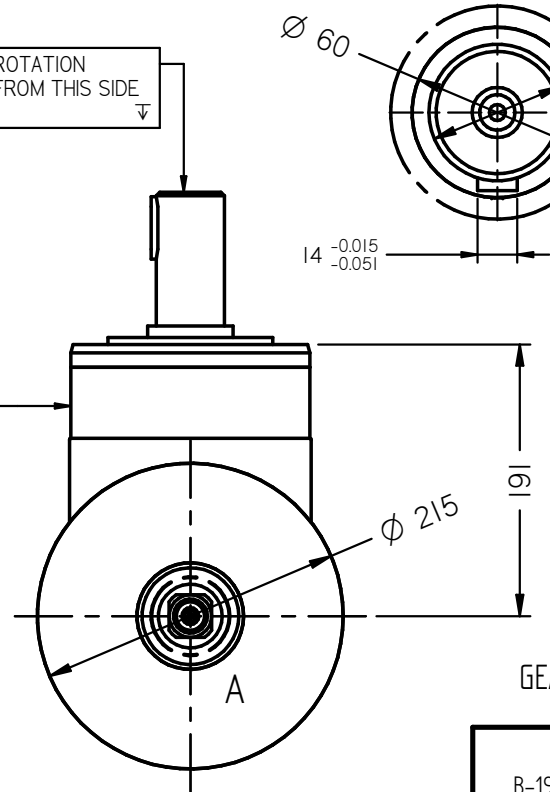


CW ROTATION  
LOOKING FROM THIS SIDE

0.4 $\mu$



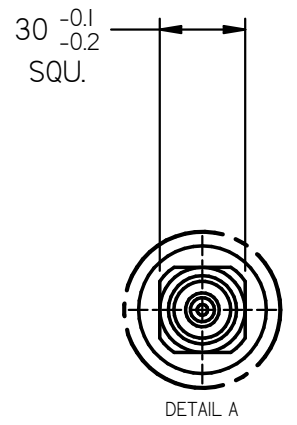
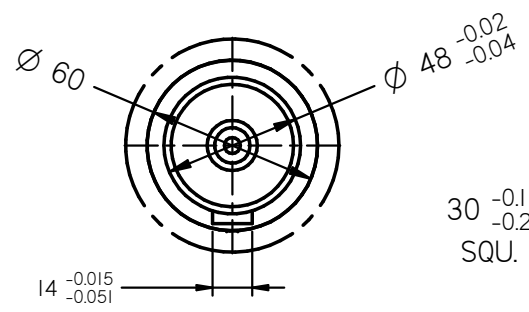
**TORQUE RATING OF GEARBOXES**

DRG. NO.	TORQUE AT 30 RPM	TORQUE AT 1000 RPM	TORQUE AT 1400 RPM	TORQUE AT 2800 RPM
TECHNO-3011	500	180	150	85

UNITS: TORQUE-NM, WEIGHT-KG, DIMENSIONS-MM

WT. 53 KG

DETAIL B



GEARBOX EFFICIENCY: 80% AT 30-50 RPM

NOTE: AMBIENT TEMP. NOT TO EXCEED 70DEG. C

TECHNOCRAFT ENGINEERS B-19,MIDC FLATTED FACTORY,L.B.S. ROAD, THANE-400 604.		
SIZE A4	G.A. DRAWING	REV 16.02.18
TECHNOCRAFT BEVEL GEARBOX - 1011		
SCALE: NTS	WEIGHT:	SHEET 1 OF 2